

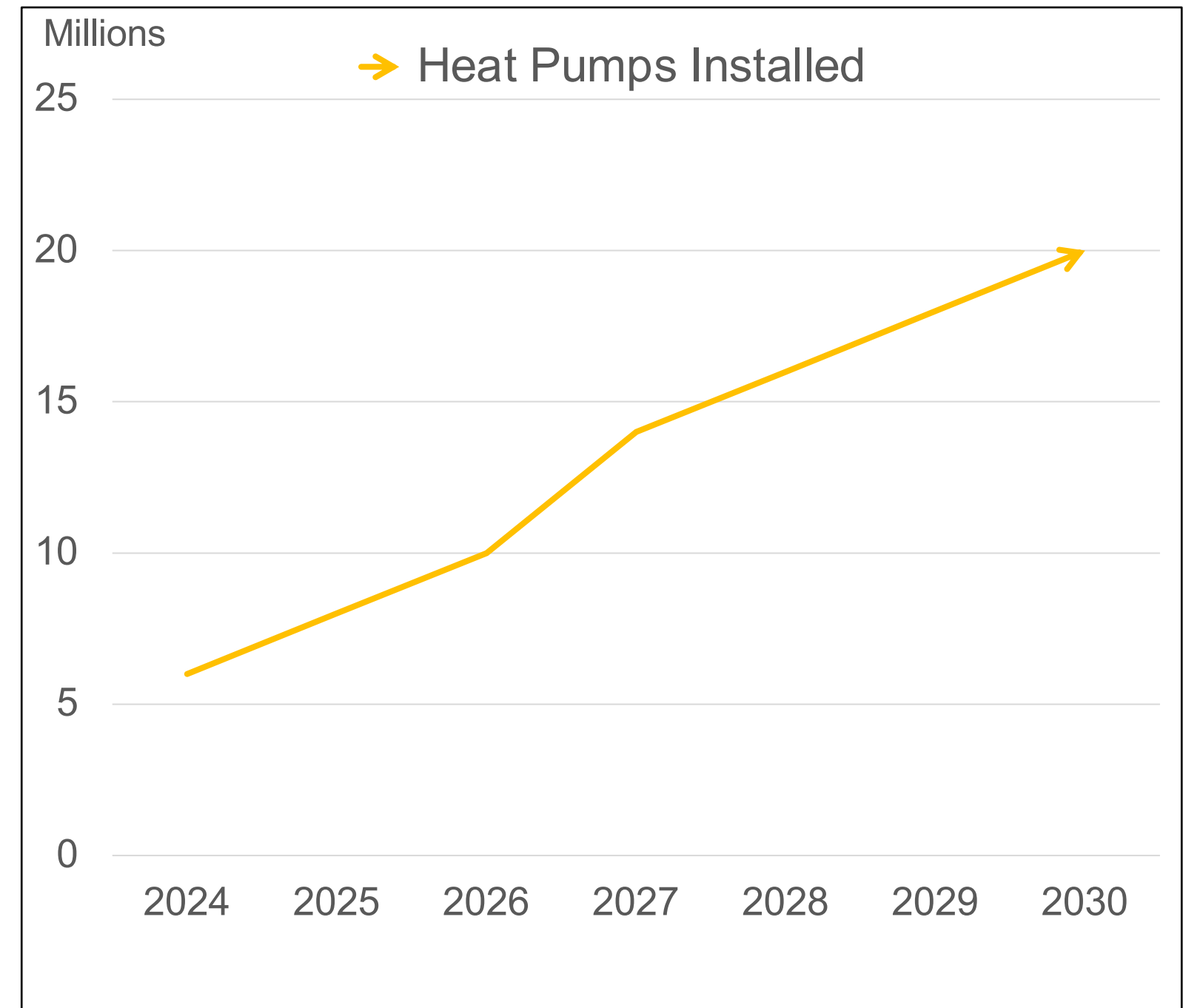
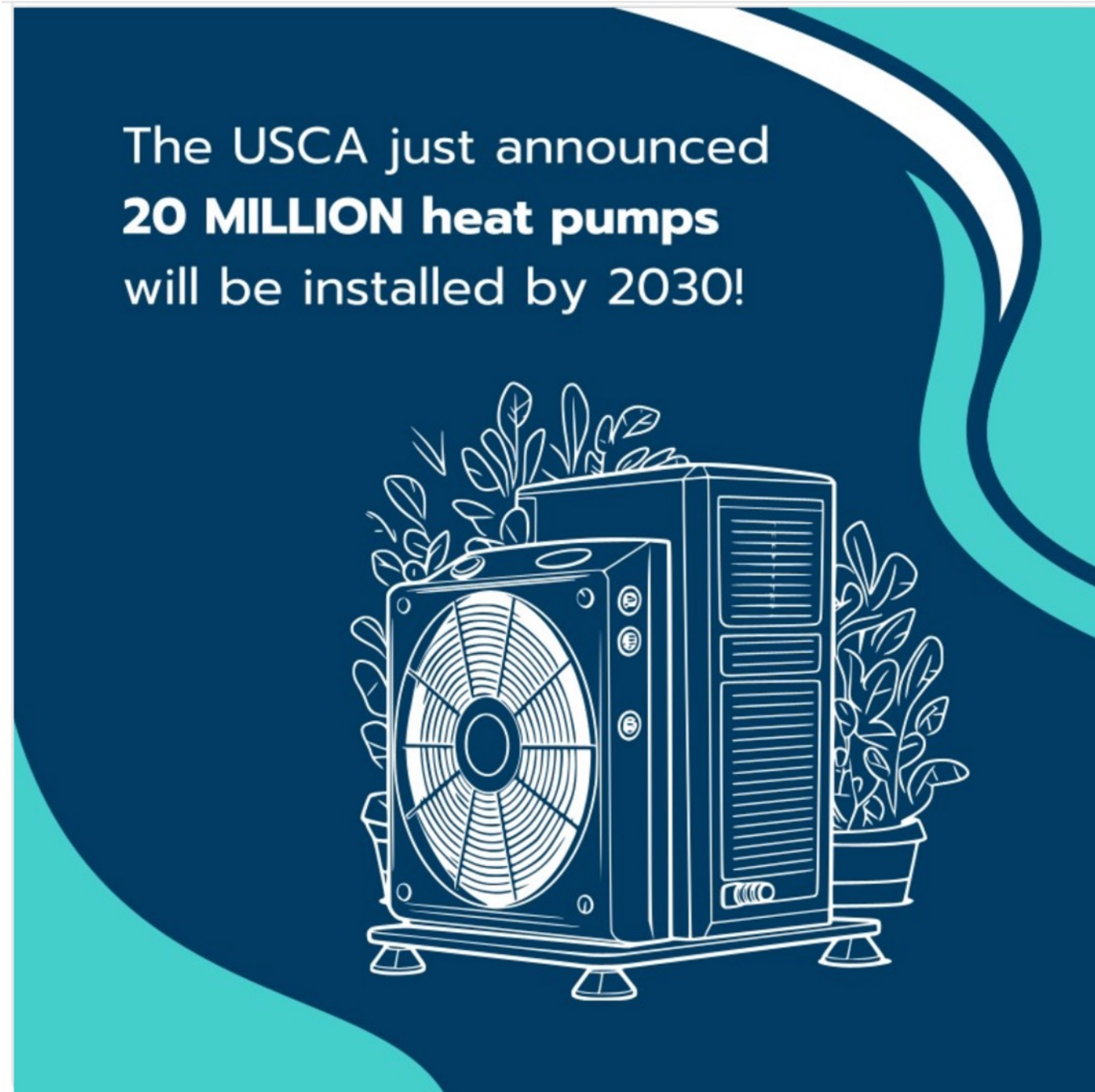
*ARIS*  
*HYDRONICS*

---

CLEAN COMFORT FOR THE FUTURE PROOF HOME

---

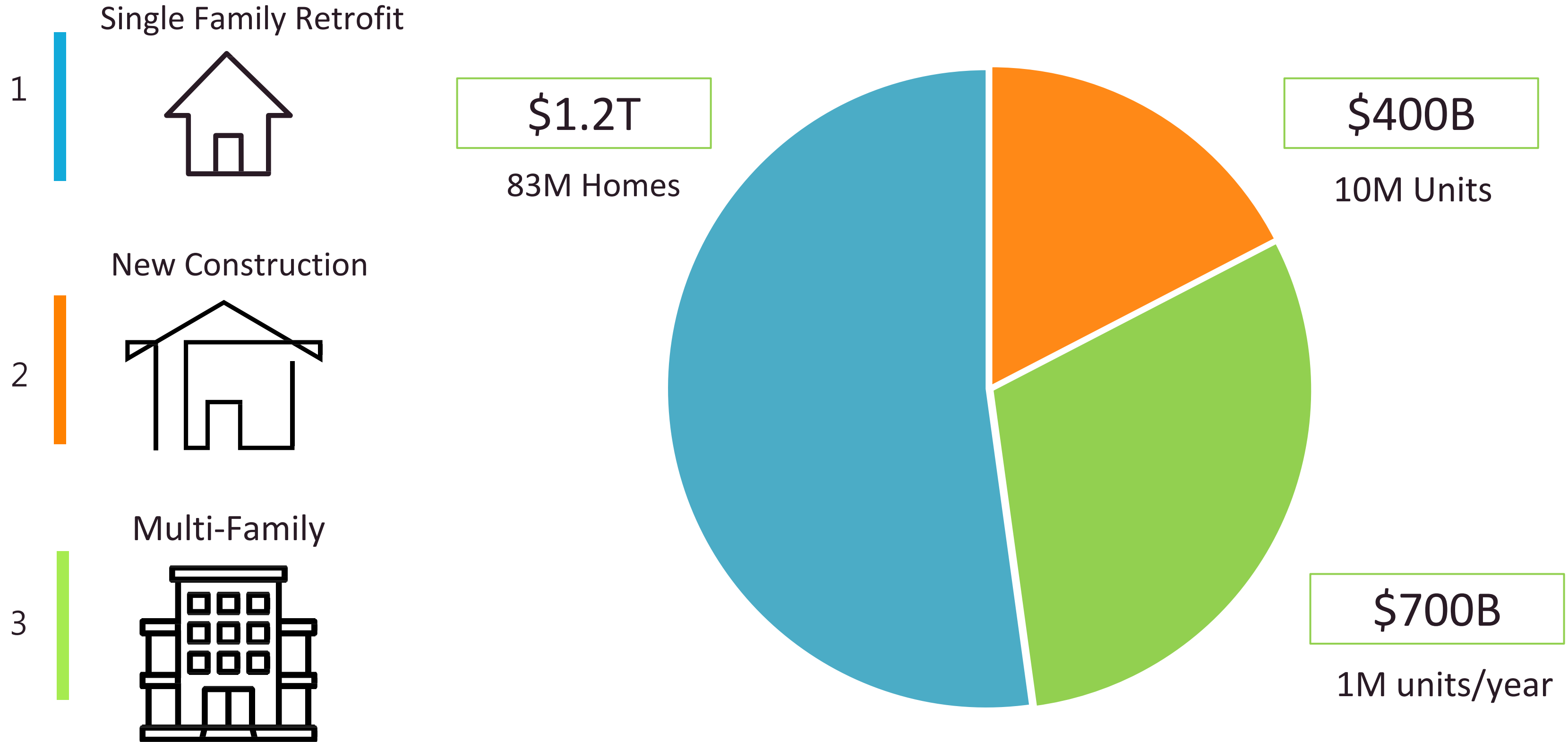
The pace and scope of the HVAC industry transformation is unparalleled.



25 States made a 20 million heat pump installation goal by 2030.

Oregon's target portion is 500,000 heat pumps.

# Potential for U.S. HVAC change over market over the next twenty years.



# Why Heat Pumps?

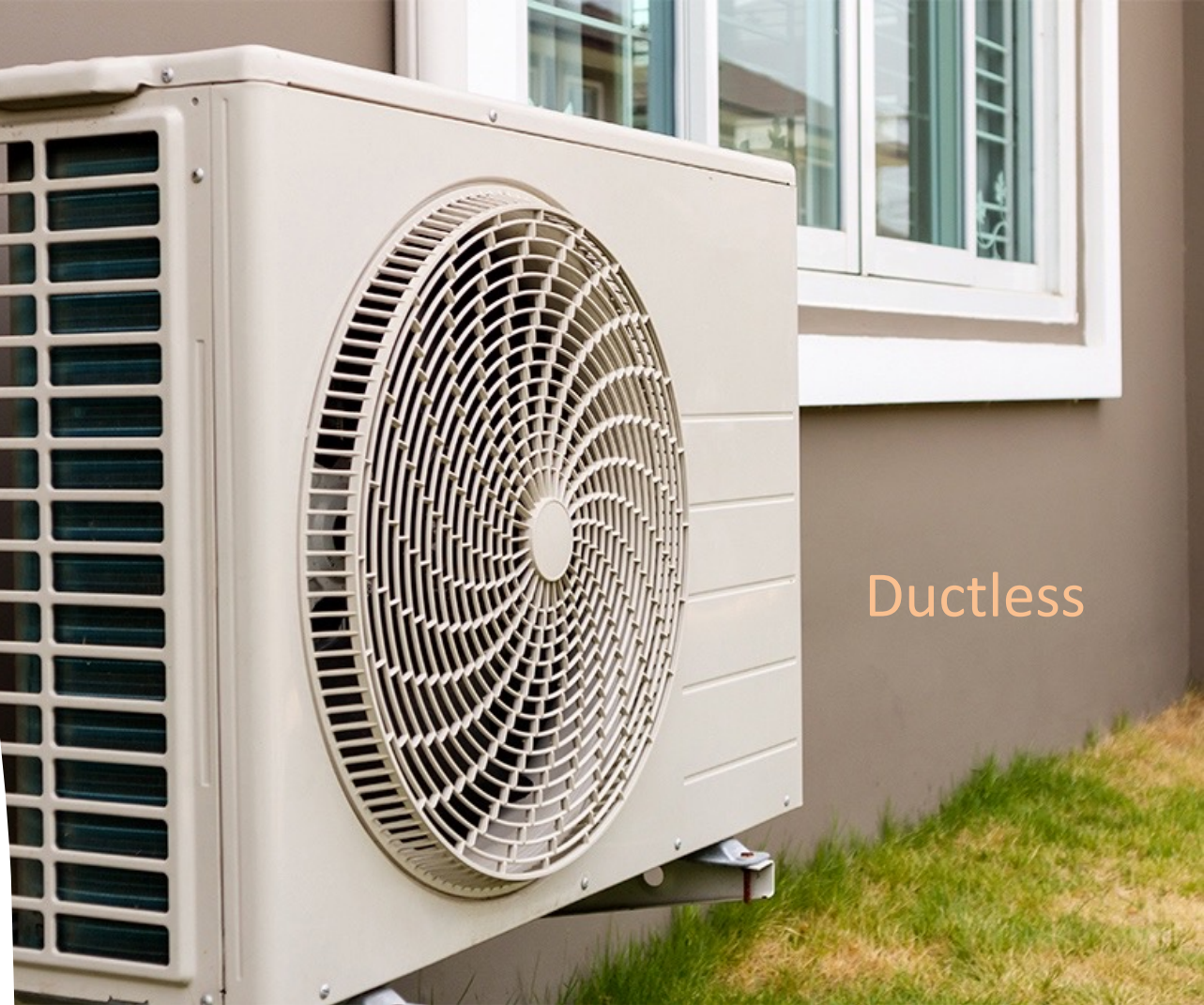
5X more efficient than existing HVAC technologies.

Economic development opportunities: **technology refinement and IP development.**

Air-to-water



Ductless



Split Ducted



Electric Hybrid (DHW)

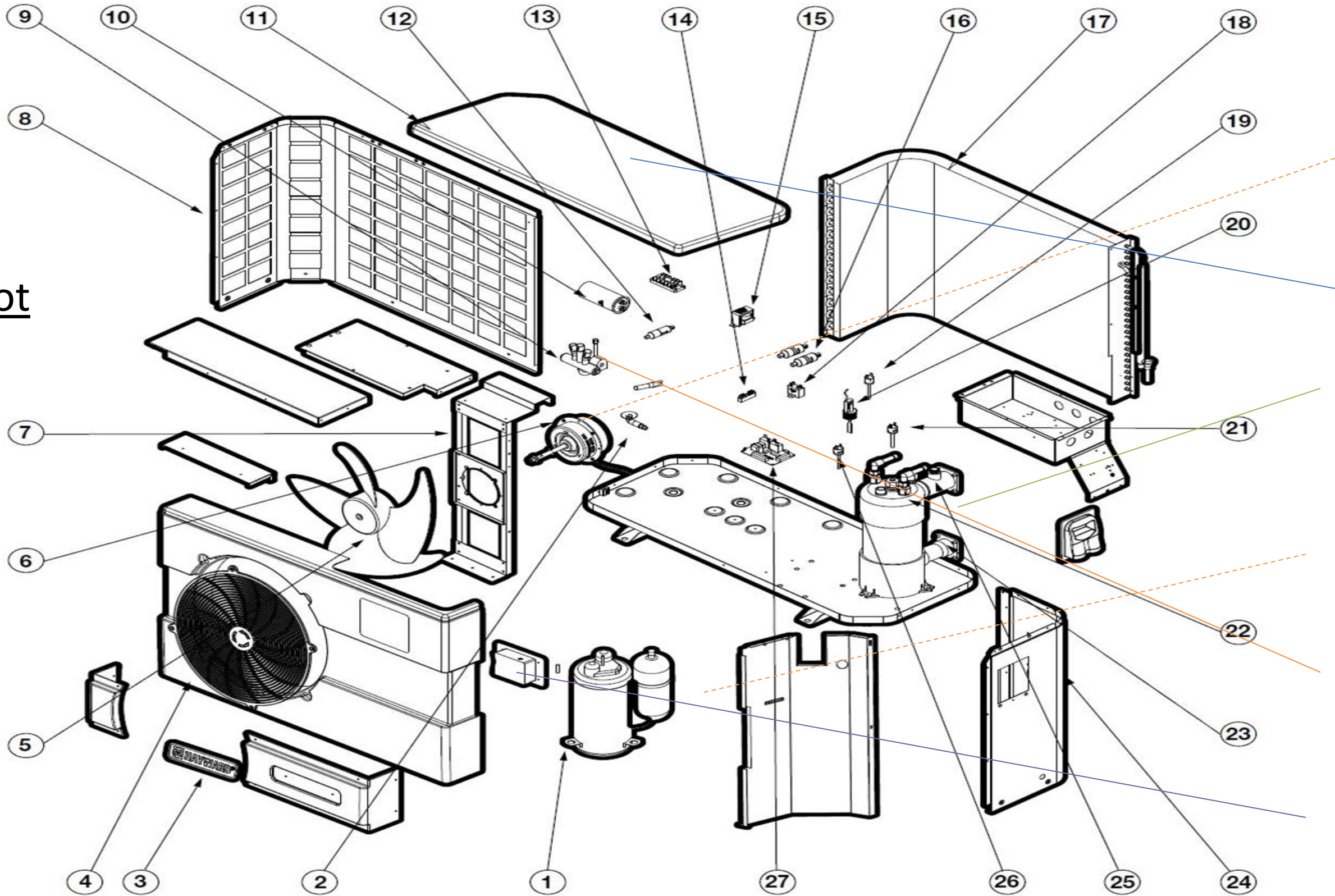


# Market opportunities within the component supply chain.

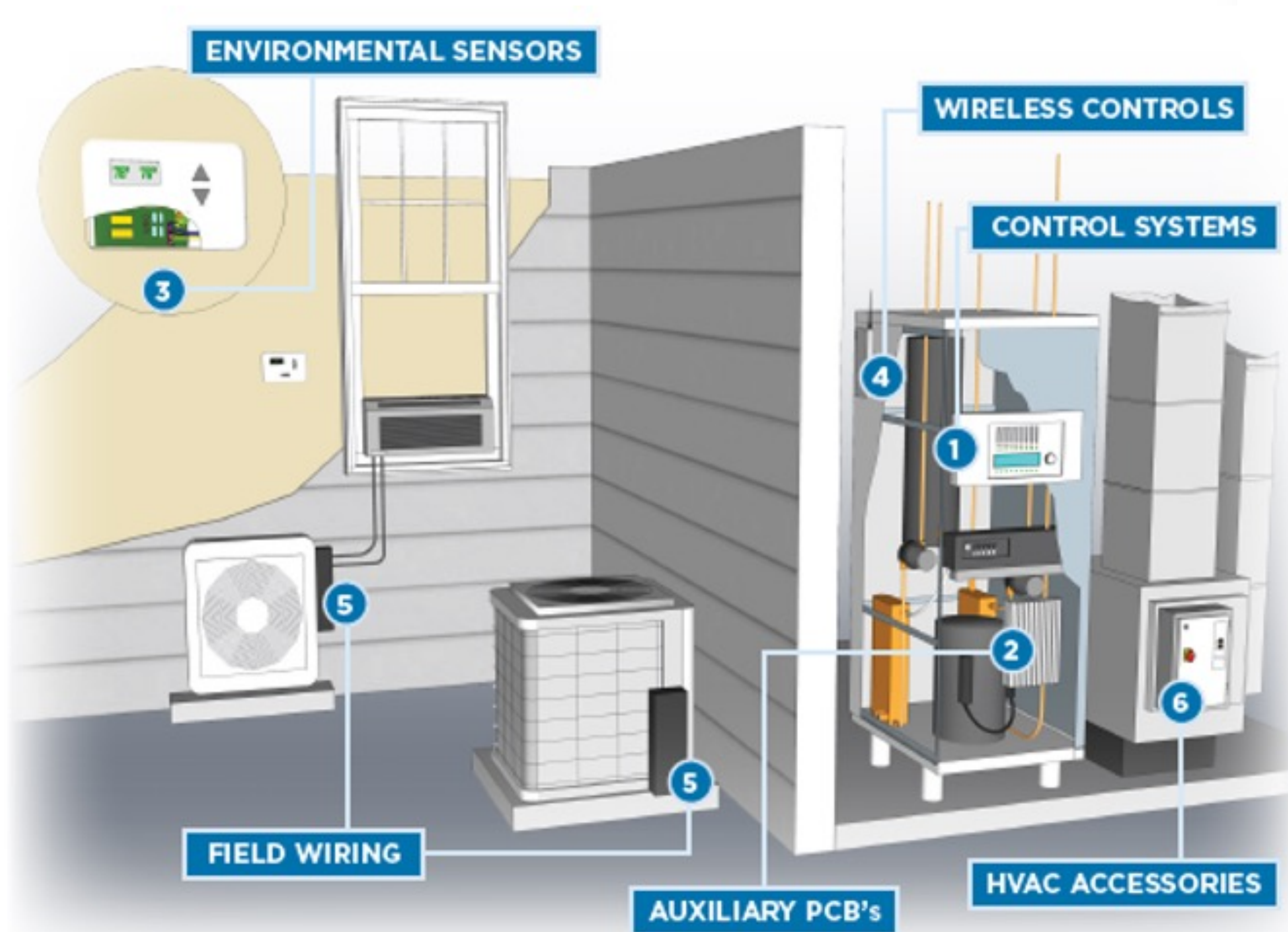
A Heat Pump is a combination of advanced components.

The U.S. is currently not a leader in HP component manufacturing.

Economic development opportunities: **new component development, domestic manufacturing, and assembly.**



## System and installation market opportunities.

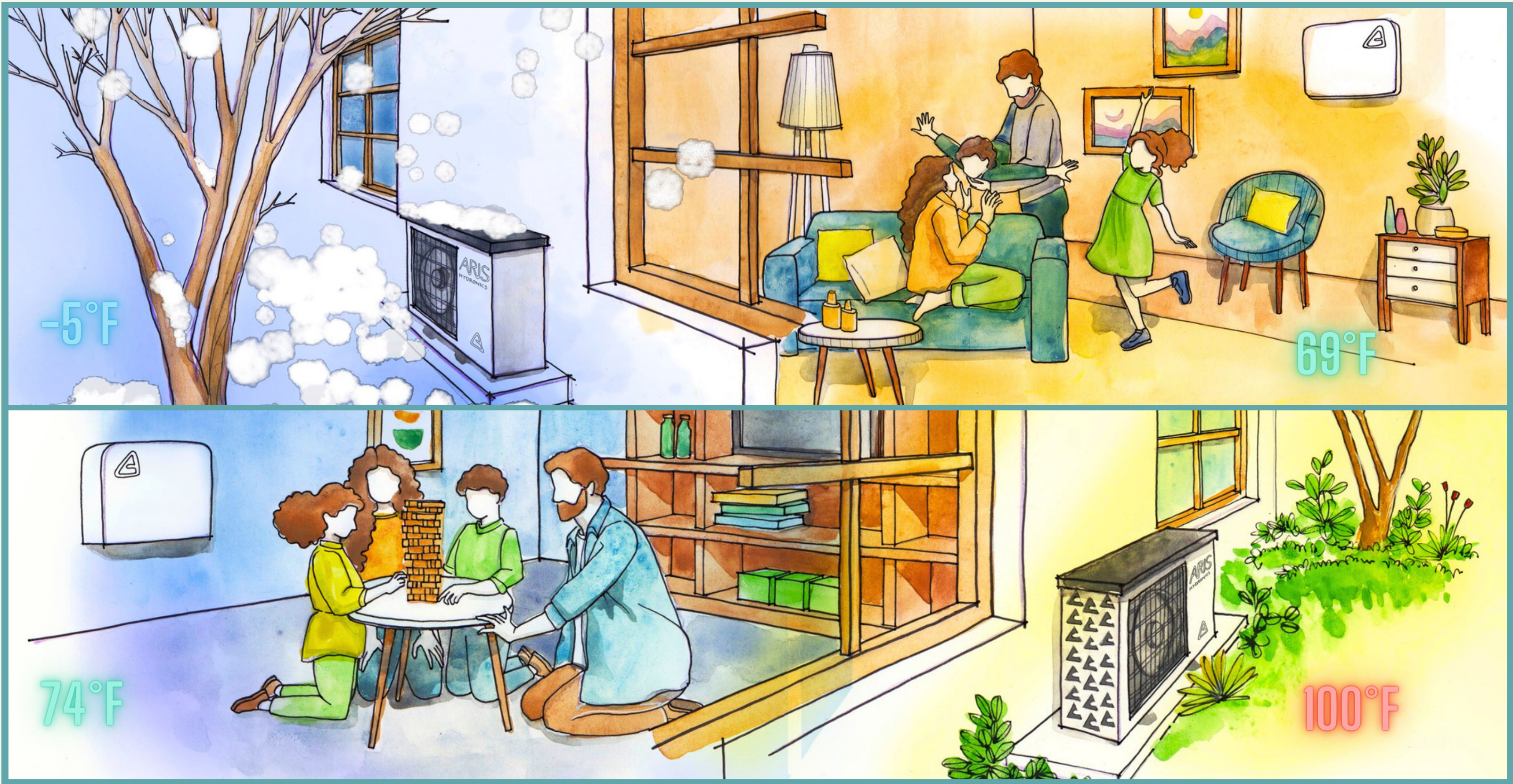


Heat pumps are one component of a larger HVAC system.

Economic development opportunities: **HVAC components, system design, financing, and installation.**

HVAC system economic benefits are more localized but will require broad workforce dev to keep pace.

Aris Hydronics was born for resiliency.



Assist families in keeping their homes, comfortable, livable safe. Now and into the future.

## ARIS Hydronics is re-defining HVAC.



- Heating, cooling, and hot water
- Safer –70% less refrigerant

- 40%-60% energy savings
- 2.5-4 Tons CO2e emissions reduction

- High efficiency design (COP 5+)
- Superior comfort and controls



Award  
Winning  
Technology



# EAS-E Home Electrification Prize

## FINALISTS

**Aris Hydrionics, Inc.**  
MILWAUKIE, OREGON

**QuitCarbon Inc.**  
SAN FRANCISCO,  
CALIFORNIA

**NeoCharge and  
Redwood Energy**  
ARCATA, CALIFORNIA

**B&B Technology  
Solutions and  
SimpleSwitch**  
HENDERSON, NEVADA

**Hydronic Shell  
Technologies**  
LONG ISLAND CITY, NEW YORK

**Dayton Energy  
Collaborative**  
DAYTON, OHIO



U.S. DEPARTMENT OF  
**ENERGY**

AMERICAN  
**MADE**  
U.S. DEPARTMENT OF ENERGY



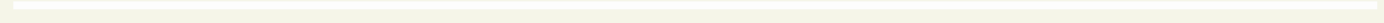
National  
Support  
&  
Exposure

ARIS  
HYDRONICS

2023 HUD INNOVATIVE  
HOUSING SHOWCASE

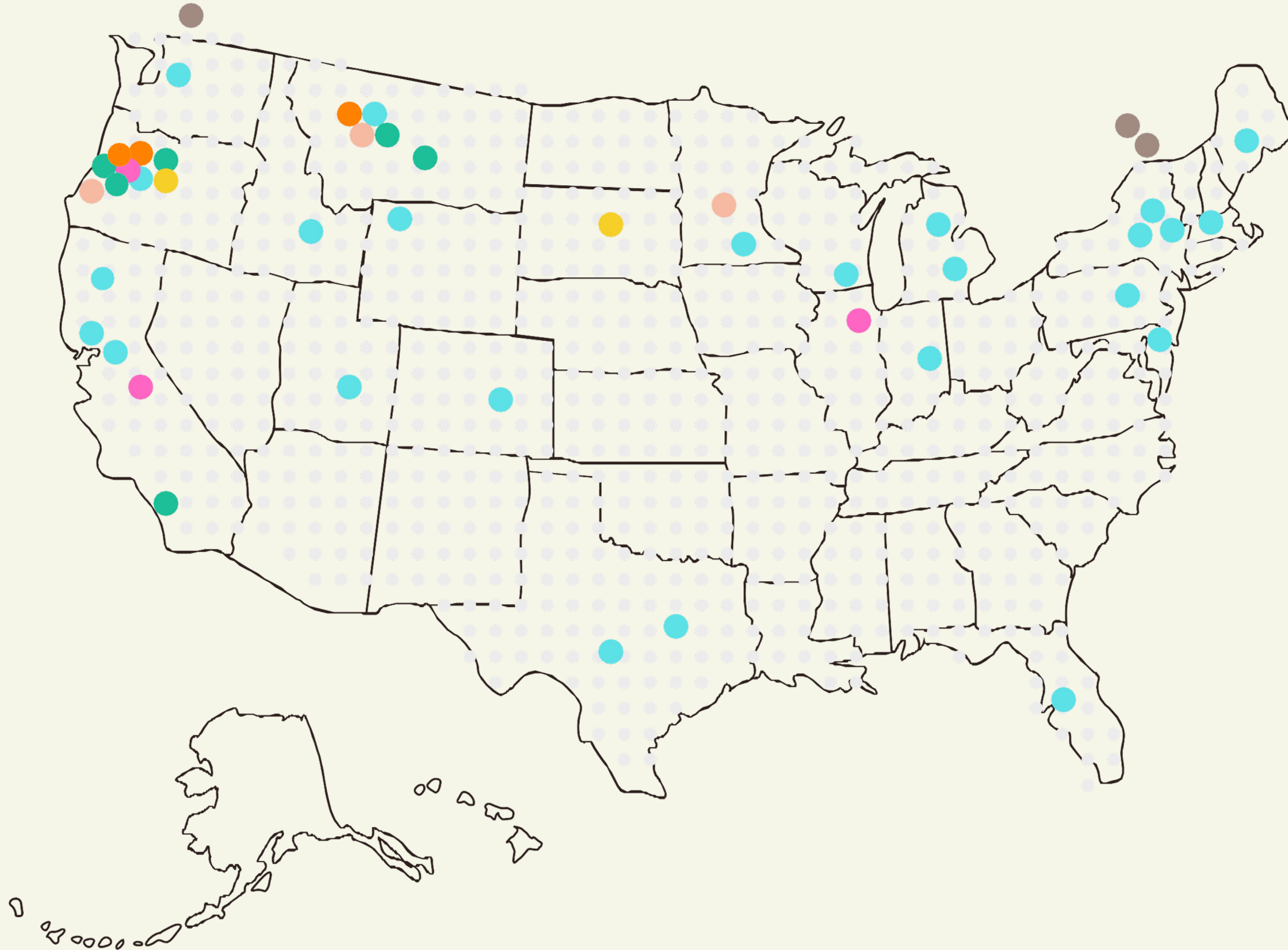


# Aris Hydronics is being pulled into the market.



## Traction:

- installed paid pilots
- sales under contract
- residential pre-sales
- multi-family pre-sales
- commercial pre-sales
- new build pre-sales
- Canadian inquiries



## Milestones:

Multiple paid pilots.

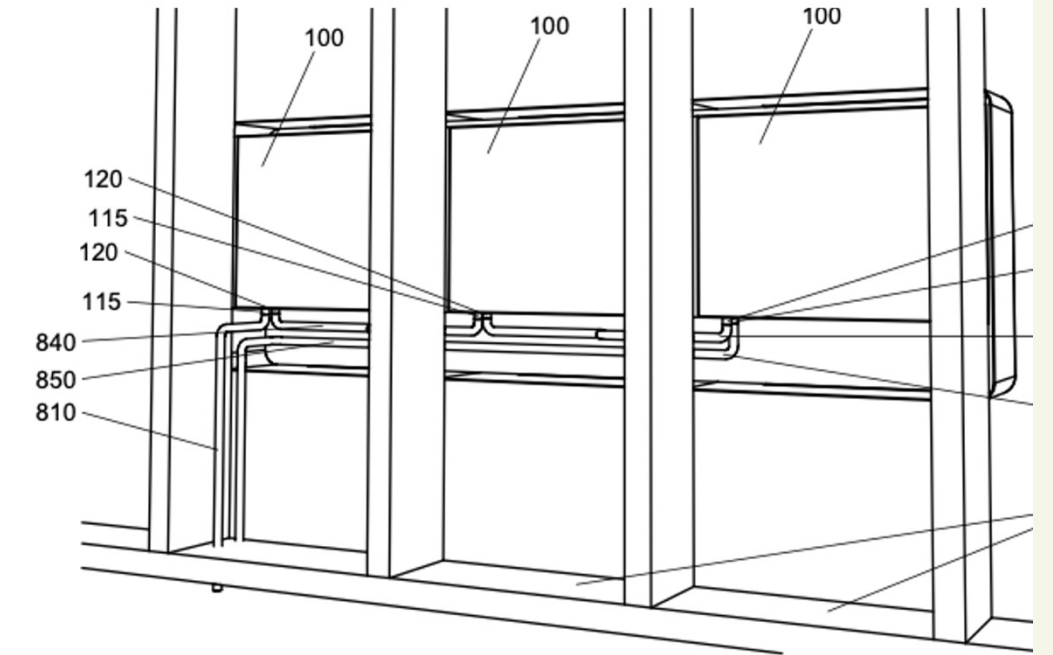
Pre-launch interest from customers in 20 states and Canada

LOI's for commercial, multifamily properties

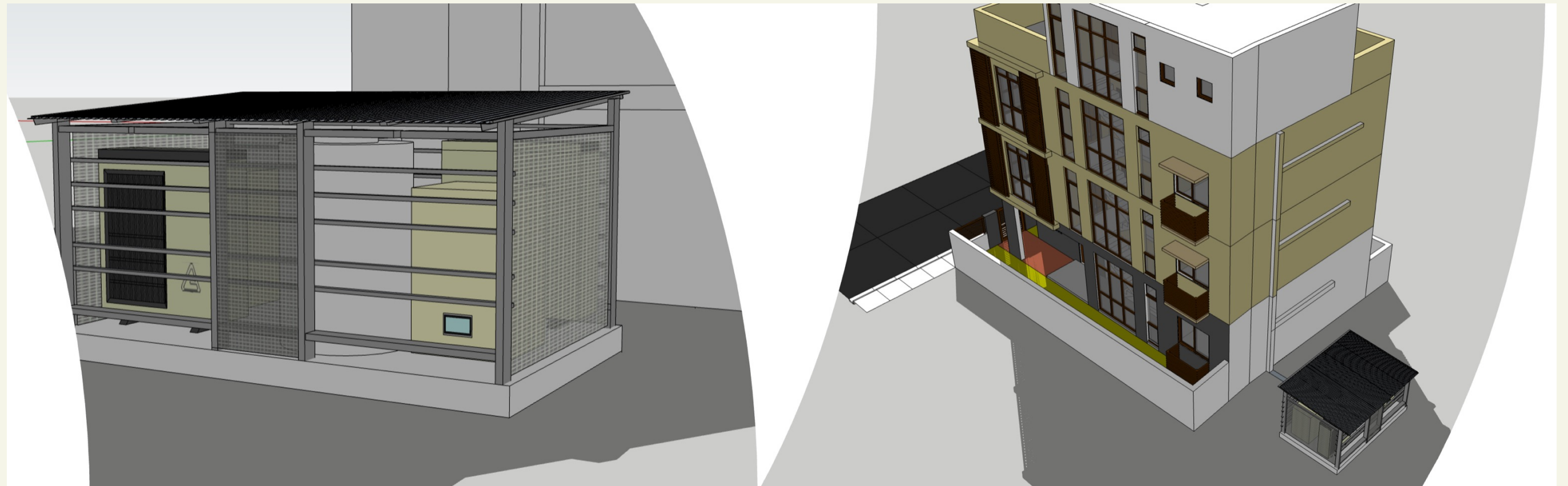
ZERO marketing campaigns to date

Aris Hydronics has a number of new products under development.

Modular hydronic room conditioning product.



Multi-Family combi heat pump system.



**Aris Hydronics is proud to be incorporated in the State of Oregon  
(Oregon Benefit Company) and headquartered in the State of  
Oregon, and would love to develop, build, and grow our operations  
within the State...**

THANK YOU!

ARIS HYDRONICS

[home@arishydrronics.com](mailto:home@arishydrronics.com)

<https://www.linkedin.com/company/aris-hydrronics/>  
[www.arishydrronics.com](http://www.arishydrronics.com)